

☆Temporary Term



DIRECTORATE

J. Hanlon

COMMERCIAL J. Hanlon

Innovations & Industrial Partnerships

Irradiation Services
E. Blackmore

Proton Therapy
C. Hoehr

PIF/NIF
M. Trinczek

Contracts & Commercial Services
A. Fong

TRIUMF House

- H. Abeleda
- L. Bi
- M. Buenafe
- M. Estrada
- A. Ferguson
- S. Guzman

ATG
J. Orzechowski

Operations
G. Cojocaru

- C. Barr
- N. Bhandal
- B. Hagen
- E. Hawley - M. Kwan
- B. Ngan - J. Palka
- P. Piccioni - R. McLatchy
- S. Thind - D. Vachon
- S. Young

Mechanical Engineering Support
Y. Hosepyan

- K. Clarkson - J. Kaefer
- C. Kiffiak - A. Osaka
- L. Moskven - L. Thompson
- J. Young

Cyclotron Support
B. Sidhu

- V. Chan
- I. Harris
- L. Rozmyslowicz
- S. Sapriken

Operations Oversight
J. Orzechowski

- J. Lofvendahl

Administration J. Hanlon

Administrative Operations
J. Hanlon

Office Services

- S. Duprey
- S. Eder ☆
- J. Seeley

Training
P. Jones

- M. Hapke

Finance & Supply Chain H. Chen

Human Resources
J. Farrell

- M. McKay
- Payroll / Benefits
- E. Francisco Patino

Student Program

- D. Giasson
- Conferences
- J. Thomson
- L. King ☆

Procurement
K. Chu

- C. Cam ☆
- F. Chandradas
- P. Gormley
- N. Ma

Logistics
T. Schenkeveld

- J. Holek
- B. McLaughlin
- B. Shorr

Accounting

- N. Levi
- K. Bagnall
- C. Eakins
- S. Jang
- R. Lal

Grant Accounting

- F. Pau

Financial Analysis

- G. Yao

Environment, Health & Safety A. Trudel

Radiation Protection
J. Mildenberger

- A. Bellamy
- F. Holness
- M. Johnson
- D. Krsmanovic
- B. Noakes
- M. Kinakin
- R. Ralea

EH&S – Advisory
A. Villareal Cadena ☆

Dosimetry/Records
K. Gildert

OH&S
T. Sanghera
G. Wood

Safety Systems

- K. Ardron
- J. Drozdoff
- M. Du
- T. Moskven

Scientific Support
M. Nozar

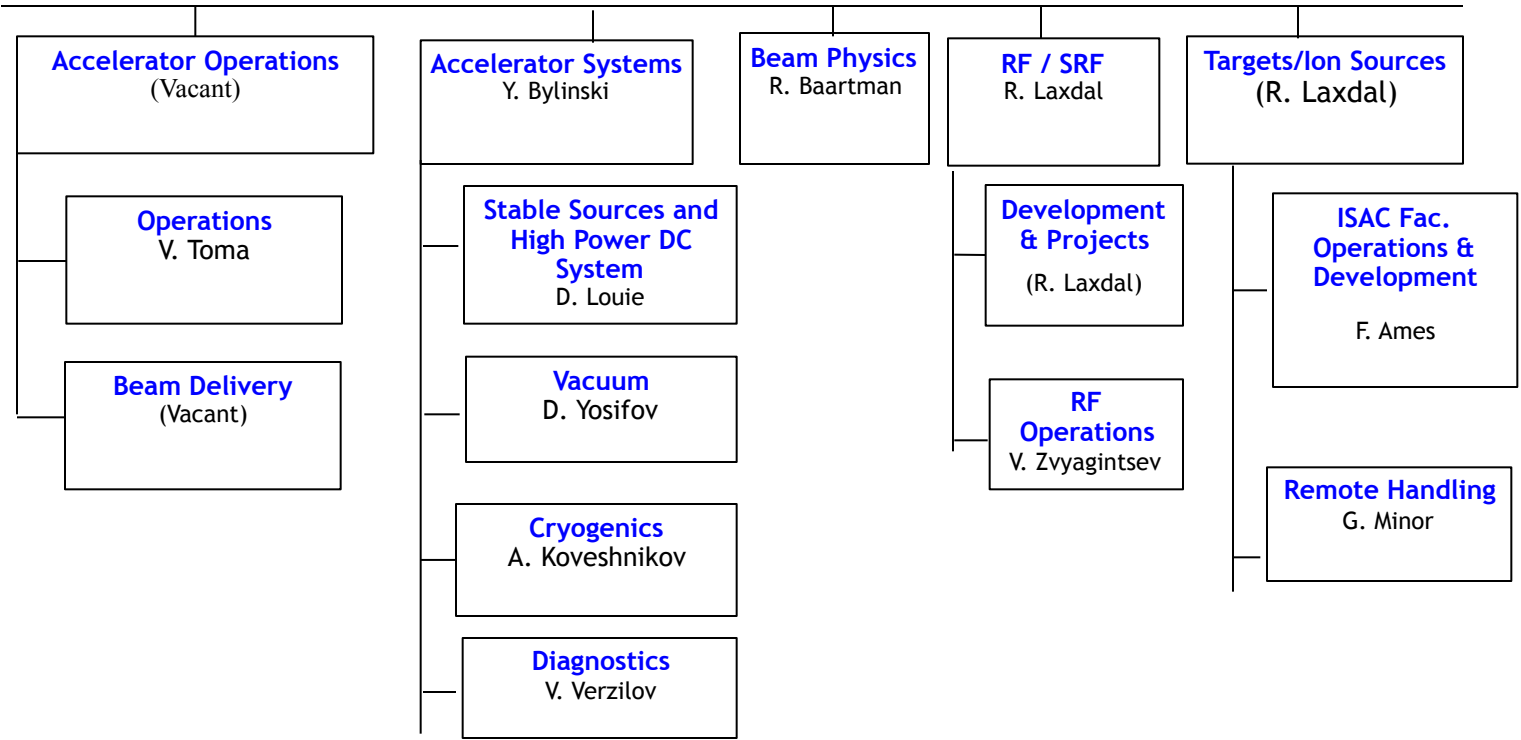
☆ Temporary Term



**ACCELERATOR
DIVISION**
O. Kester

Admin. Assist.
S. Bruckner

Deputies
Y. Bylinski R. Laxdal





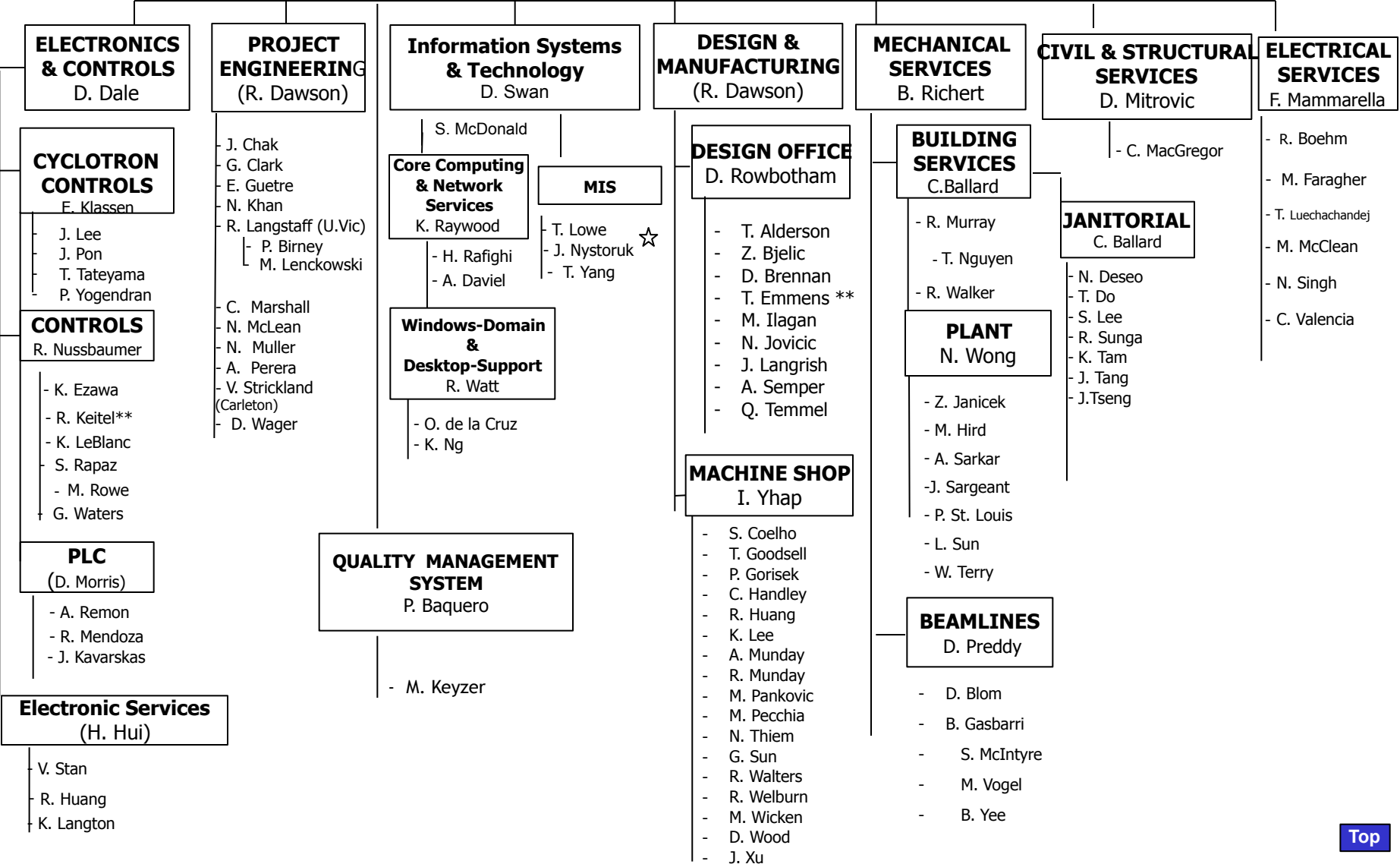
Jim Handley

ENGINEERING DIVISION

R. Dawson

DEPUTY
Don Dale

ADMINISTRATIVE ASSISTANT
R. Samarasekera





PHYSICAL SCIENCES DIVISION

J. Dilling

TRIUMF Organization Chart

Date: September 12th, 2016

Deputy

ADMIN ASSISTANT

N. Martin

Jim Hudson

Science Technology F. Retiere

Research
B. Franke
N. Hessey

Theory P. Navratil

Nuclear Physics J. Dilling

Particle Physics M. Fujiwara

Deputy
R. Henderson

DAQ
P. Amaudruz

Deputy
J. Behr

Deputy
O. Stelzer-Chilton

Engineering/Construction R. Henderson

- S. Daviel
- T. Lindner ##
- D. Vavilov #
- L. Martin #
- K. Olchanski
- C. Pearson

- S. Bacca
- A. Calci #
- R. Hill **
- J. Holt
- D. Morrissey
- N. Nevo #
- J. Ng
- S. Stroberg #
- M. Vorabbi
- A. Wijangco #

- J. Behr
- A. Gorelov #
- M. Kalita #
- T. Brunner ## (McGill)
- B. Davids
- J. Dilling
- M. Alcorta
- C. Babcock #
- M. Go od
- D. Lascar #
- L. Graham
- R. Steinbruegge

- A. Garnsworthy
- M. Bowry #
- S. Georges #
- J. Smallcombe #
- G. Hackman
- J. Henderson #
- A. Kwiatkowski
- M. Pearson
- B. Barquest #
- D. Muecher ##(Guelph)
- C. Ruiz
- D. Connolly
- A. Lennarz #
- P. Machule

- G. Azuelos (U of M)
- M. Fujiwara
- A. Capra
- J. McKenna
- R. Collister
- M. Grant ☆
- D. Gingrich ##(U of A)
- R. Gornea ##(Carleton)
- M. Hartz ## (KAVLI-IPMU)
- D. Karlen ## (UVic)
- A. Konaka
- C. Davis #
- E. Pierre #
- T. Hessels #
- L. Lee #
- J. McKinnon **
- M. Scott #

- R. Tacik (UofR)
- I. Trigger
- V. Akhazarov
- M. Vetterli ## (SFU)
- S. Yen

Electronics Development D. Bishop

- Y. Linn
- B. Shaw

University Active Grant Holders (at TRIUMF)

- (R. Kiefl) (UBC)
- H. Saadaoui
- (D. Bryman) (UBC)
- B. Velghe #
- A. Sher #
- (M. Hasinoff) (UBC)
- S. Bianchin #
- (R. Kanungo) (St. Mary's)
- M. Holl #

MMS S. Kreitzman

Deputy
G. Morris

- R. Abasalti
- D. Arseneau
- B. Hitti
- M. McLay
- I. McKenzie
- D. Vyas
- P. Percival ## (SFU)

- I. Dillmann WP
- M. Birch
- R. Caballero-Folch

ATLAS TIER 1 R. Tafirout

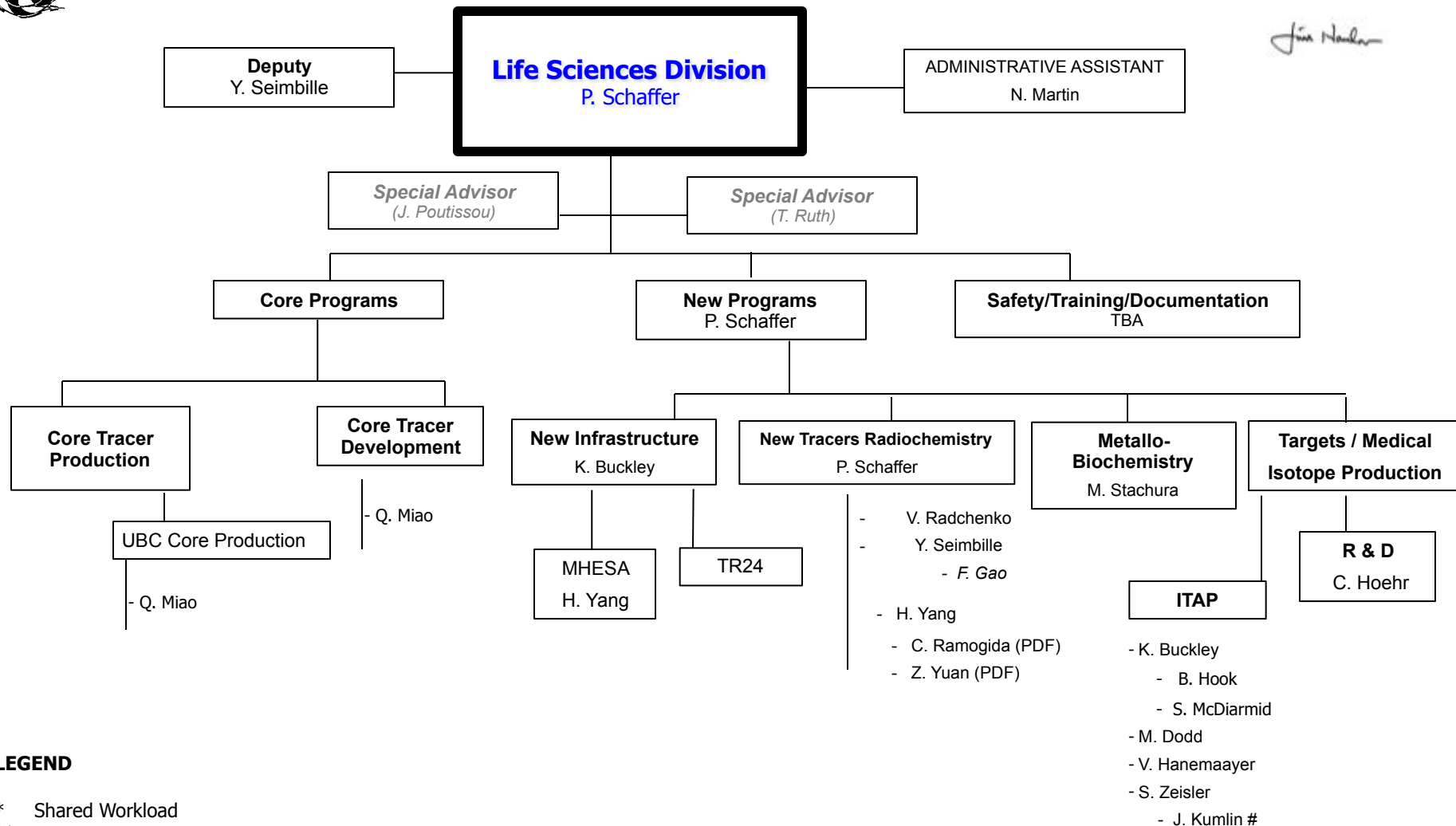
- A. De Silva
- D. Deatrich
- R. Devbhandri
- V. Kondratenko
- D. Qing
- S. Liu
- Y. Shin
- A. Wong

ATLAS sTGC O. Stelzer-Chilton

- R. Dixon
- S. Issinski
- I. Koveshnikov
- N. Kwok
- B. Yuen

- R. Mammei ## (U of W)
- G. Marshall
- T. Numao
- G. Oakham## (Carleton)
- R. Picker
- A. Katsika #
- F. Kuhler
- P. Savard ## (U of T)
- O. Stelzer-Chilton

- F. Guescini
- N. Tal Hod
- J. Jovicevic (CERN)



LEGEND

- * Shared Workload
- ** Part Time
- # Grant Funded
- ## Partial Funding
- Temporary
- PDF Postdoctoral Research Fellow